

STANDARD CUBIC ANVIL

H. Tracy Hall 11 JAN 1966

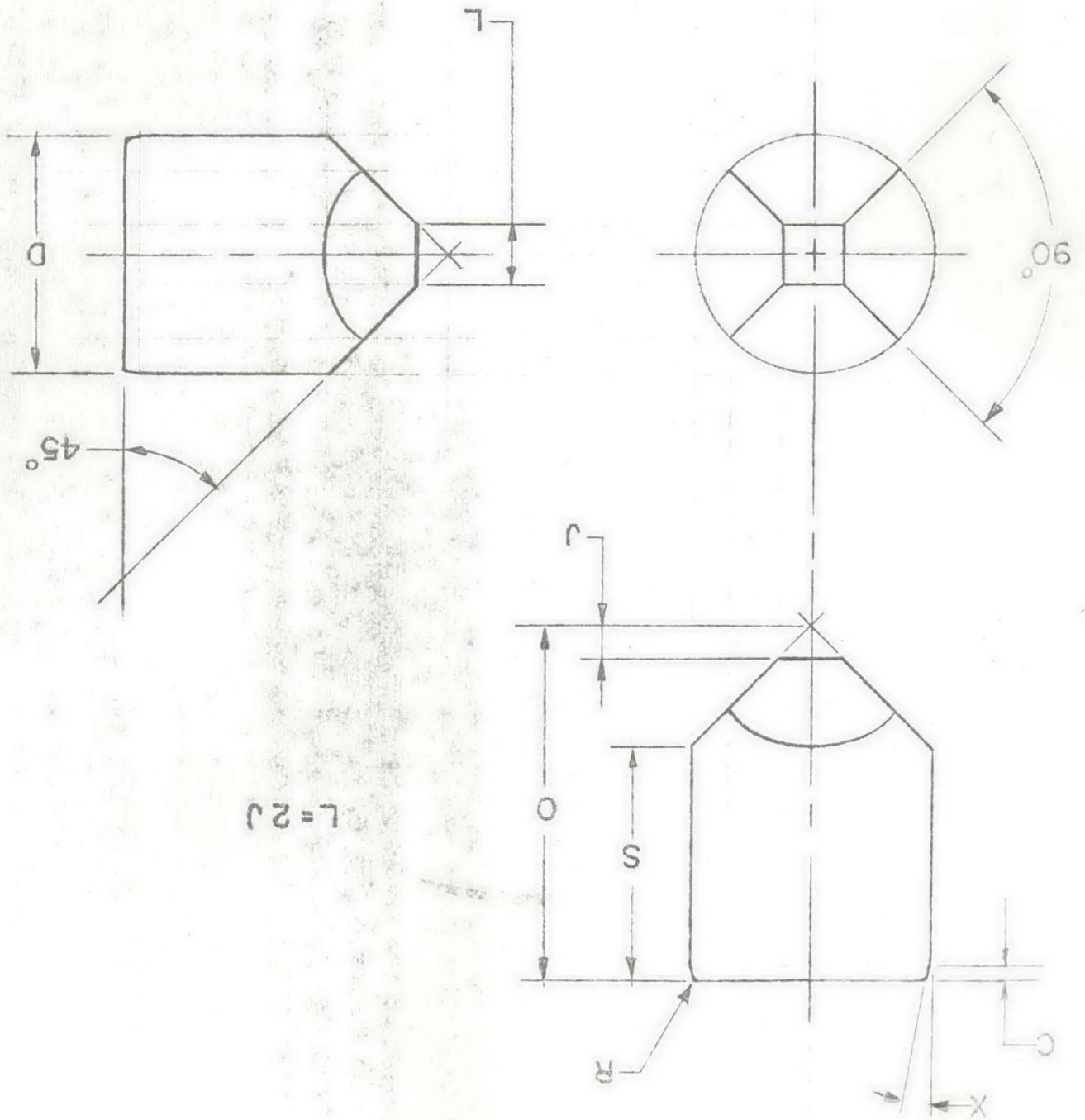
CONFIDENTIAL
 THIS DOCUMENT IS SUBJECT TO CONTROL

40003977

STANDARD CUBIC ANVIL
N. Drury Hall 11 JAN 1966

40003978

THIS DOCUMENT IS SUBJECT TO COPIED ORDER



$L = 2J$

THIS DOCUMENT IS SUBJECT TO COURT ORDER

40003979

$R = .010^{\circ}R$
 $X = 4-8^{\circ}$
 $C = 1/16''$

$D = 1.5000 \pm 0.0005''$

$J = L/2$

$S = 1.250'$

$O = 2.000'' \pm 0.001''$

$.500$	$.9375$
$.625$	$.3125$
$.375$	$.1875$
$\underline{\hspace{1cm}}$	$\underline{\hspace{1cm}}$
L	J
$.250$	$.46875$

Standard Curve Curve

A.J. Hall 11 Jan 1966